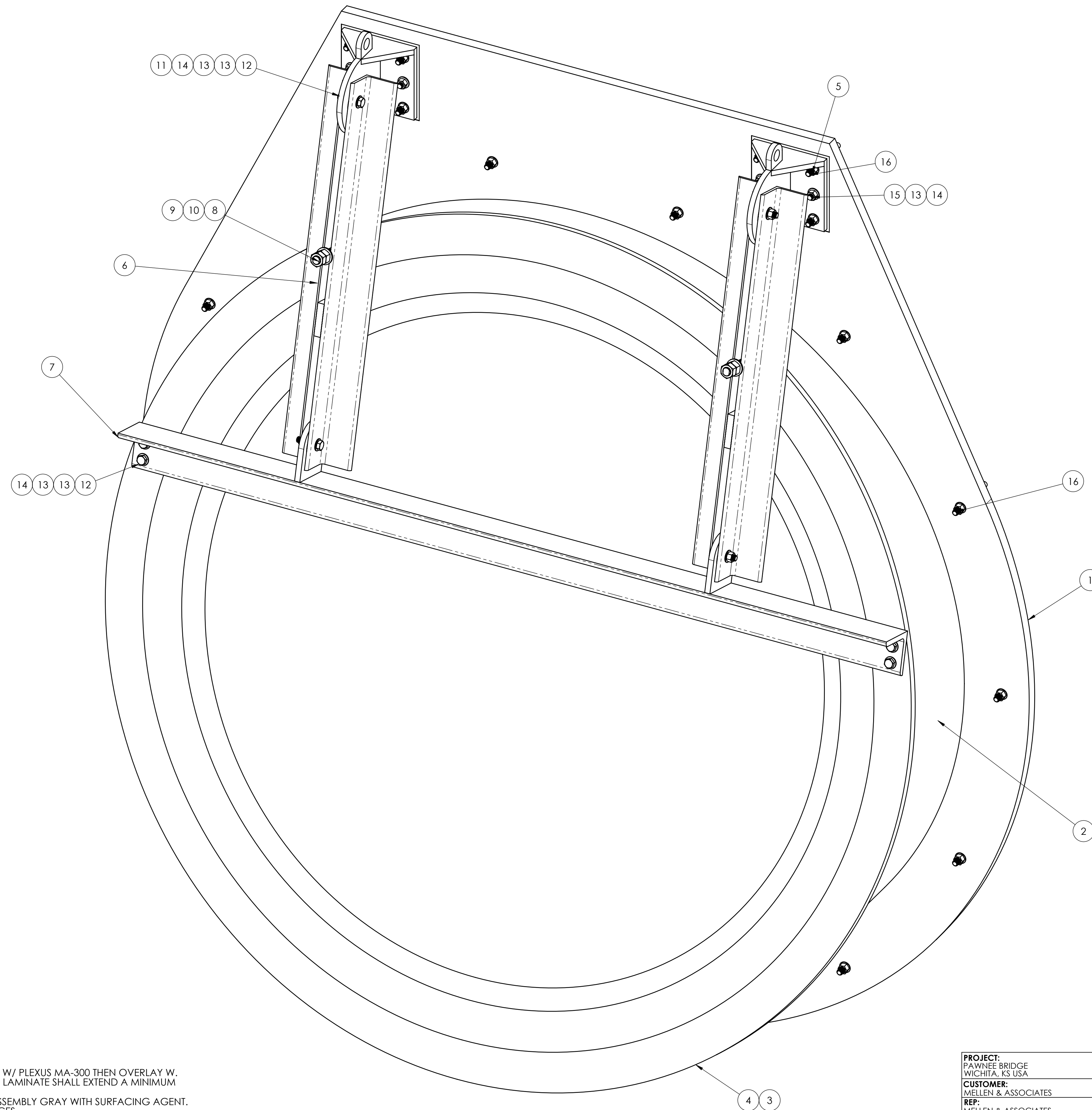


REVISIONS				
REV.	DESCRIPTION	NCR/ECO NO.	REVISED BY	DATE
A	FOR APPROVAL		Z.MENLE	04/10/2013



BOM TABLE			
ITEM NO.	QTY.	DESCRIPTION	MATERIAL
1	1	WALL MOUNT FLANGE PLATE	FRP (HLU, POLYESTER)
2	1	6'-0" ID PIPE	FRP (HLU, POLYESTER)
3	1	1/2" HOLLOW "D" GASKET	NEOPRENE (55-65 DURO)
4	1	DOME FLAP, 5'-0"	FRP (HLU, POLYESTER)
5	2	HINGE BRACKET	T-304L S/S
6	2	HINGE ARM	T-304L S/S
7	1	FLAP ANGLE	T-304L S/S
8	2	Ø 3/4-10UNC X 6 1/4" THREADED ROD	T-304 S/S
9	2	HEX NUT 3/4-10UNC W/ WASHER	T-304 S/S
10	2	HEX NUT, 3/4-10UNC	T-304 S/S
11	4	BUSHING, 1/2" ID X 5/8" OD X 1 1/8" LG.	BRASS
12	8	HHCS, 1/2-13UNC X 2"	T-304 S/S
13	20	FLAT WASHER, 1/2"	T-304 S/S
14	12	HEX NUT, 1/2-13UNC	T-304 S/S
15	4	FHSC, 1/2-13UNC X 2 1/4"	T-304 S/S
16	22	Ø 1/2" X 5 1/2" WEDGE STUD ANCHOR W/ HEX NUT & FLAT WASHER	T-304 S/S

NOTES:

- JOIN WALL MOUNT FLANGE TO PIPE W/ PLEXUS MA-300 THEN OVERLAY W. 1/4" LAMINATE (M.WR.M,WR,MMM). LAMINATE SHALL EXTEND A MINIMUM OF 4" ONTO PIPE AND FLANGE.
- GEL COAT EXTERIOR OF FINISHED ASSEMBLY GRAY WITH SURFACING AGENT. DO NOT GEL COAT SEATING SURFACES.
- RESIN FOR HAND LAY-UPS: MCWHORTER 712-3765.
- ATTACH RUBBER GASKET TO END OF PIPE W/ 3M PR54 ADHESIVE.
- FLAP HINGE IS WELDED FORMED T-304 S/S.
- ALL HARDWARE IS T-304 S/S.
- ANCHORS ARE T-304 S/S.

PROJECT:
PAWNEE BRIDGE
WICHITA, KS USA

CUSTOMER:
MELLEN & ASSOCIATES

REP:
MELLEN & ASSOCIATES

P.O. NO.: 10983

PROPRIETARY AND CONFIDENTIAL
THE INFORMATION CONTAINED IN THIS DRAWING IS THE SOLE PROPERTY OF PLASTI-FAB. ANY REPRODUCTION IN PART OR AS A WHOLE WITHOUT THE WRITTEN PERMISSION OF PLASTI-FAB IS PROHIBITED.



TUALATIN, OR.

UNLESS OTHERWISE SPECIFIED, DIMENSIONS ARE IN FEET/INCHES

TOLERANCES UNLESS OTHERWISE SPECIFIED:

≤ 6'-0"	± 1/16"
> 6'-0" AND ≤ 25'-0"	± 1/8"
> 25'-0"	± 1/2"

PLASTI-FAB PART NUMBER:

MATERIAL INFORMATION:

SPECIAL FINISH REQUIREMENT:

NAME: Z.MENLE

DATE: 04/10/2013

DRAWN BY: Z.MENLE

CHECKED BY:

TITLE: 72" FLAP GATE, WALL MOUNT

SIZE: D

DRAWING NO.: 131155-1A-01

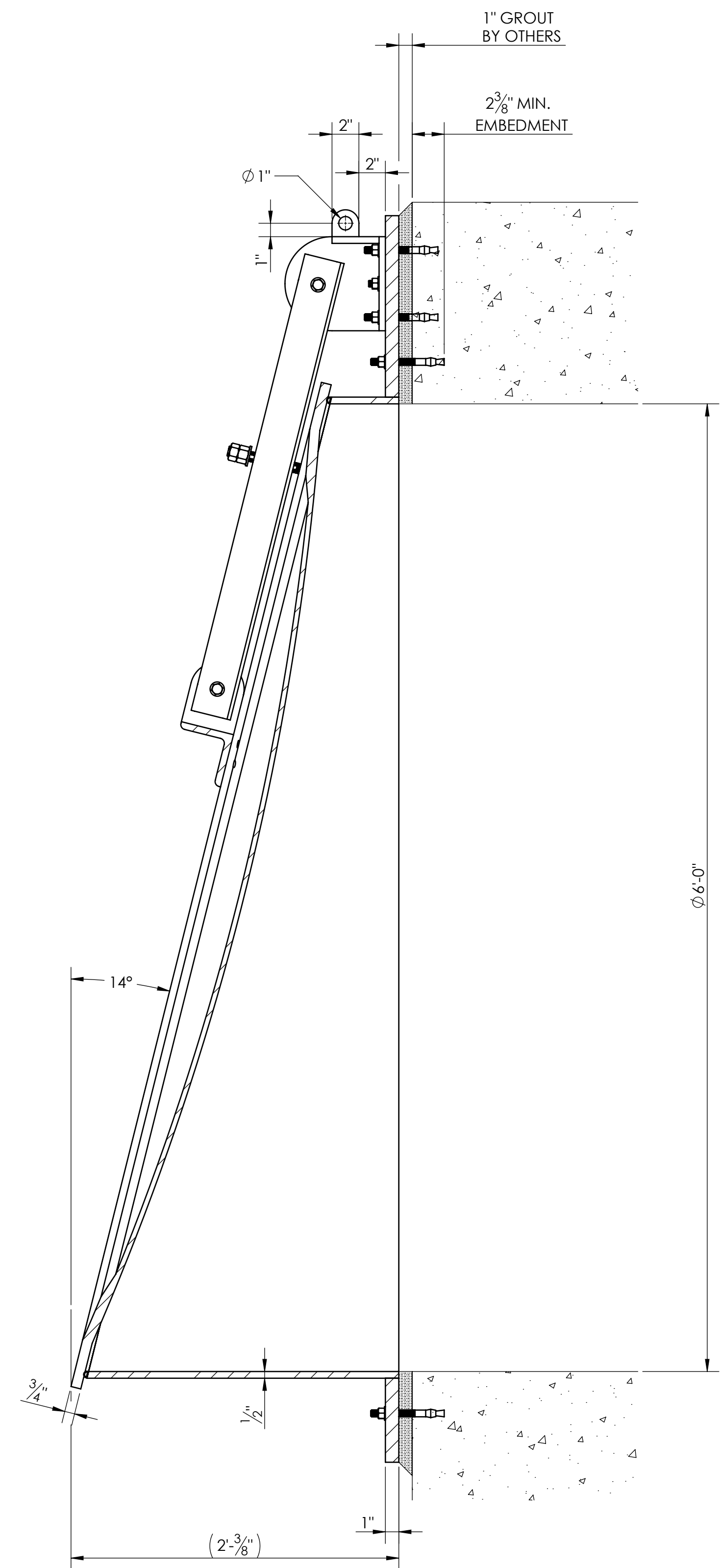
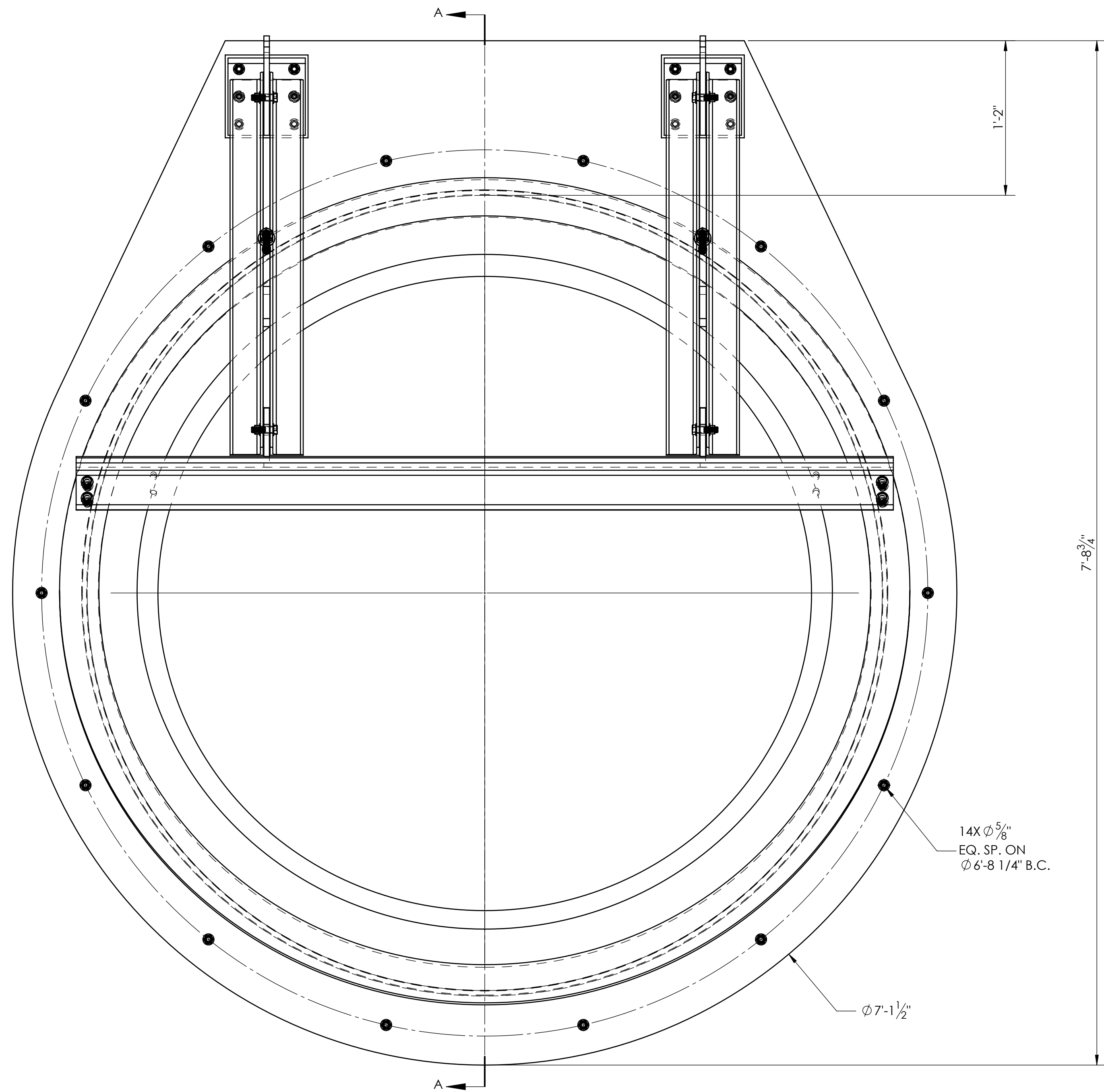
REV: A

WEIGHT: 531.78

SCALE: 1:5

SHEET: 1 OF 2

REVISIONS				
REV.	DESCRIPTION	NCR/ECO NO.	REVISED BY	DATE
A	FOR APPROVAL		Z.MENLE	04/10/2013



SECTION A-A

PROJECT: PAWNEE BRIDGE WICHITA, KS USA			PLASTI-FAB PART NUMBER: 		TITLE: 72" FLAP GATE, WALL MOUNT	
CUSTOMER: MELLEN & ASSOCIATES			MATERIAL INFORMATION: 			
REP: MELLEN & ASSOCIATES		TUALATIN, OR.				
P.O. NO.: 10983		UNLESS OTHERWISE SPECIFIED, DIMENSIONS ARE IN FEET/INCHES		SPECIAL FINISH REQUIREMENT: 		
PROPRIETARY AND CONFIDENTIAL THE INFORMATION CONTAINED IN THIS DRAWING IS THE SOLE PROPERTY OF PLASTI-FAB. ANY REPRODUCTION IN PART OR AS A WHOLE WITHOUT THE WRITTEN PERMISSION OF PLASTI-FAB IS PROHIBITED.		TOLERANCES UNLESS OTHERWISE SPECIFIED: ≤ 6'-0" ± 1/16" > 6'-0" AND ≤ 25'-0" ± 1/8" > 25'-0" ± 1/2"				
		NAME: Z.MENLE		DATE: 04/10/2013		
		DRAWN BY: Z.MENLE		SIZE: D		
		CHECKED BY:		DRAWING NO.: 131155-1A-02		
				REV.: A		
				WEIGHT: 531.78		
				SCALE: 1:7		
				SHEET: 2 OF 2		