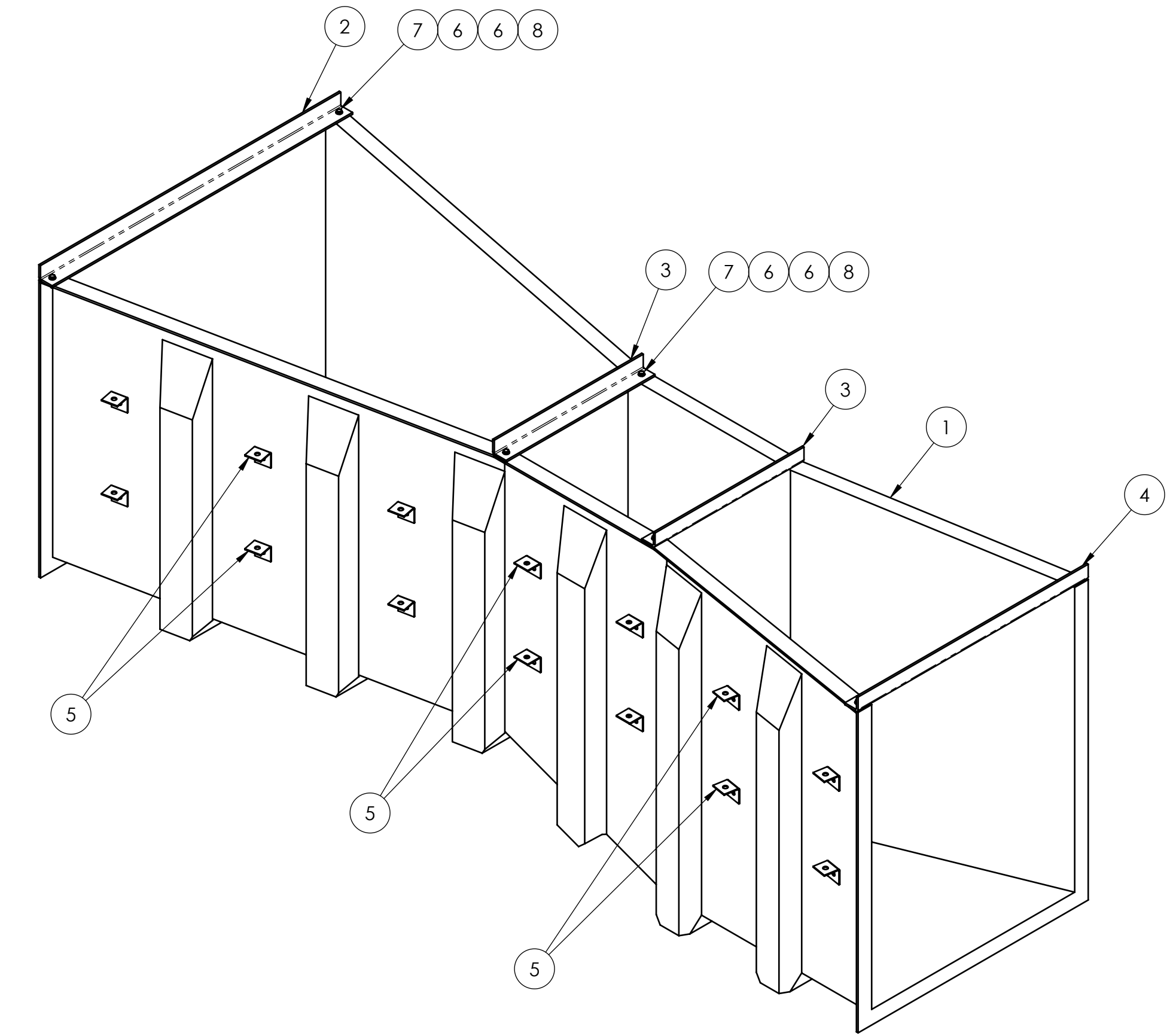
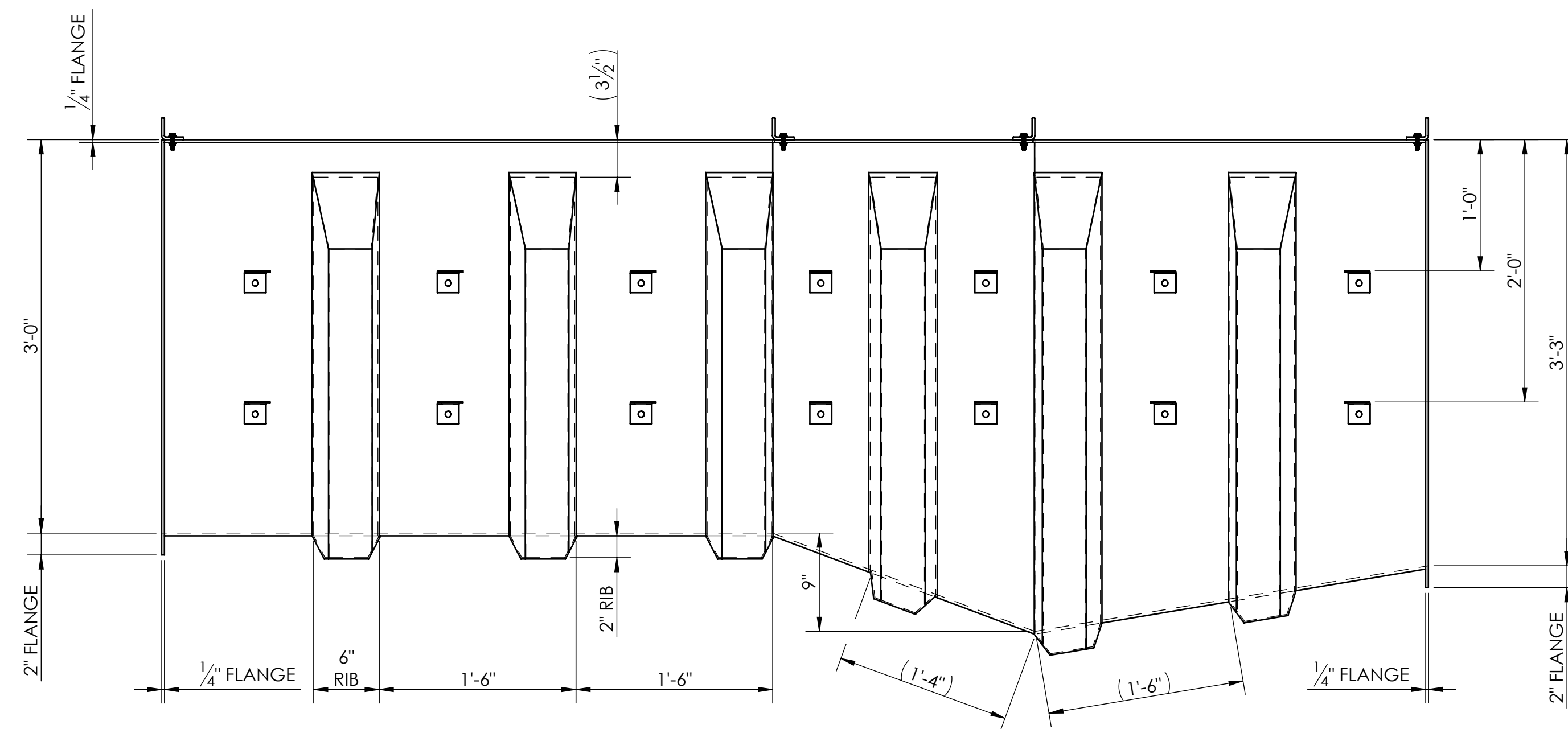
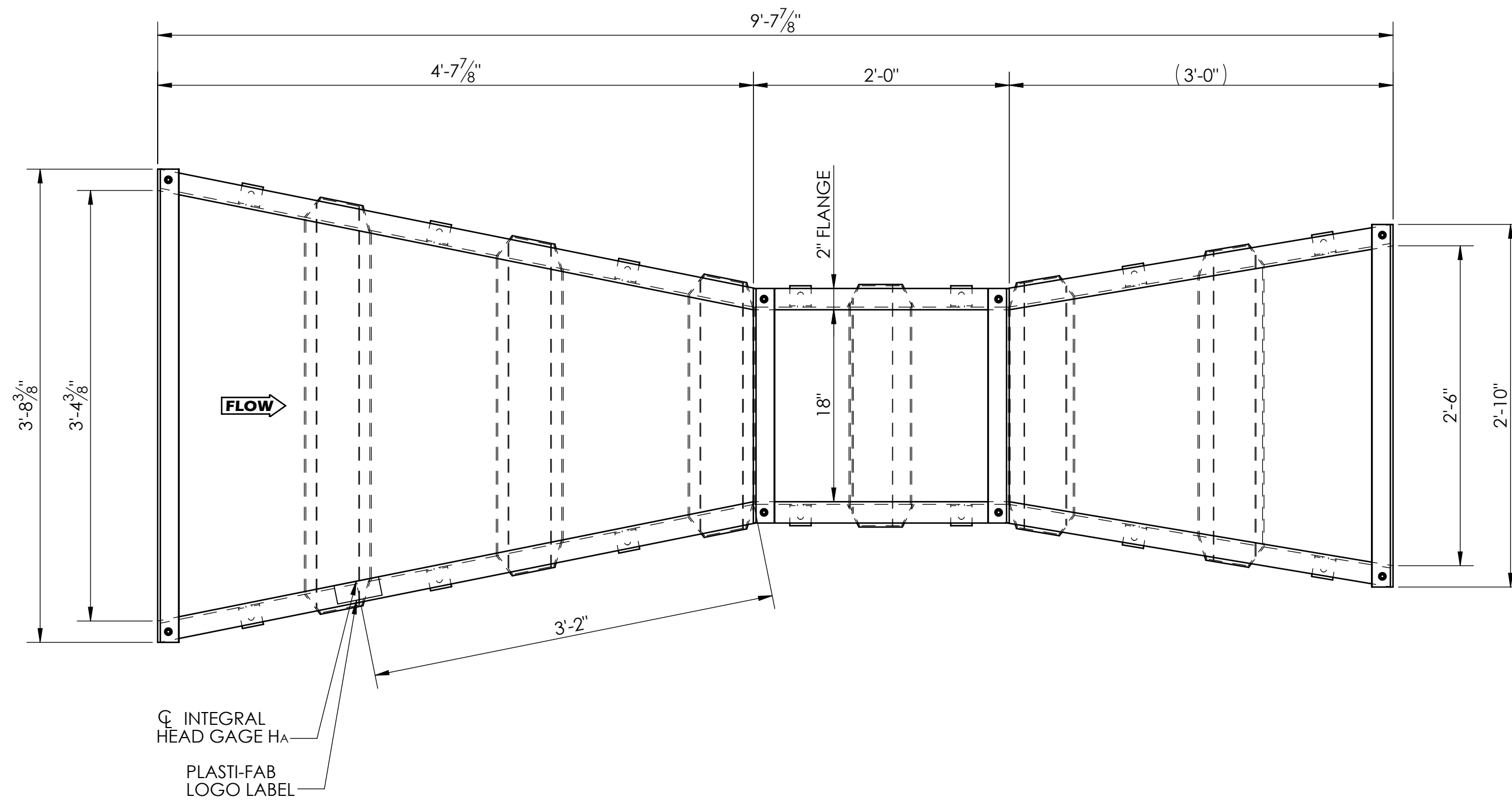


REVISIONS				
REV.	DESCRIPTION	NCR/ECO NO.	REVISED BY	DATE
A	INITIAL RELEASE		T. BAILEY	4/30/2013
B	GENERAL REVISION; UPDATED BOM LIST DESCRIPTION & PART NUMBERS		T. BAILEY	11/8/2013



BOM TABLE					
ITEM NO.	001/QTY.	DESCRIPTION	MATERIAL	LENGTH	PART NUMBER
1	1	18" PARSHALL FLUME	FRP (HLU, VINYL ESTER)		PF018-00
2	1	SPREADER ANGLE, 2" x 2" x 1/4"	FRP (PULTRUDED, POLYESTER)	3'-8 3/8"	312-0013
3	2	SPREADER ANGLE, 2" x 2" x 1/4"	FRP (PULTRUDED, POLYESTER)	1'-10"	312-0013
4	1	SPREADER ANGLE, 2" x 2" x 1/4"	FRP (PULTRUDED, POLYESTER)	2'-10"	312-0013
5	28	2" KEYTAB CLIP	A36		410-0007
6	16	5/16 FLAT WASHER	T-304 S/S	-	664-0029
7	8	HHCS, 5/16-18UNC X 1 1/4"	T-304 S/S	-	661-0366
8	8	HEX NUT, 5/16-18UNC	T-304 S/S	-	663-0001

- NOTES:**
- THE MINIMUM THICKNESS IS 1/4" FRP (FIBERGLASS REINFORCED PLASTIC).
 - THE INSIDE SURFACE IS SMOOTH WHITE GEL COAT.
 - THE OUTSIDE SURFACE IS WHITE GEL COAT.
 - MINIMUM GLASS CONTENT IS 30%, EXCLUSIVE OF RESIN RICH SURFACES.
 - THE HEAD GAGE (100THS OF A FOOT & CENTIMETERS) IS MOLDED INTO THE SIDE OF THE FLUME.
 - PLACE LARGE FLOW DIRECTION ARROW DECAL ON BOTTOM OF FLUME @ APPROXIMATELY 3" FROM INLET END.
 - PLACE PLASTI-FAB LOGO LABEL ON TOP FLANGE AT APPROXIMATE CENTER-LINE OF MEASUREMENT POINT OR GAGE LOCATION.
 - KEYTAB CLIPS TO BE LOCATED AS SHOWN AT APPROXIMATE CENTER OF AREA.
 - RESIN: CCP STYPOL C1-1200-22.

APPROVED AS NOTED

Name	Company
Signature	Date

Job No.

PROJECT:
24" PARSHALL FLUME STANDARDS
TUALATIN, OREGON USA
CUSTOMER:
PLASTI-FAB, INC.
REP:
P.O. NO.:
PROPRIETARY AND CONFIDENTIAL
THE INFORMATION CONTAINED IN THIS DRAWING IS THE SOLE PROPERTY OF PLASTI-FAB. ANY REPRODUCTION IN PART OR AS A WHOLE WITHOUT THE WRITTEN PERMISSION OF PLASTI-FAB IS PROHIBITED.



TUALATIN, OR.
UNLESS OTHERWISE SPECIFIED, DIMENSIONS ARE IN FEET/INCHES
TOLERANCES UNLESS OTHERWISE SPECIFIED:
≤ 6'-0" ± 1/16"
> 6'-0" AND ≤ 25'-0" ± 1/8"
> 25'-0" ± 1/2"

PLASTI-FAB PART NUMBER:
MATERIAL INFORMATION:
SPECIAL FINISH REQUIREMENT:
NAME: T. BAILEY
DATE: 5/7/2013
DRAWN BY:
CHECKED BY:

TITLE:
18" PARSHALL FLUME ASSEMBLY
SIZE: D
DRAWING NO.: FLUM-PF018-001
REV. B
WEIGHT: 231
SCALE: 1:10